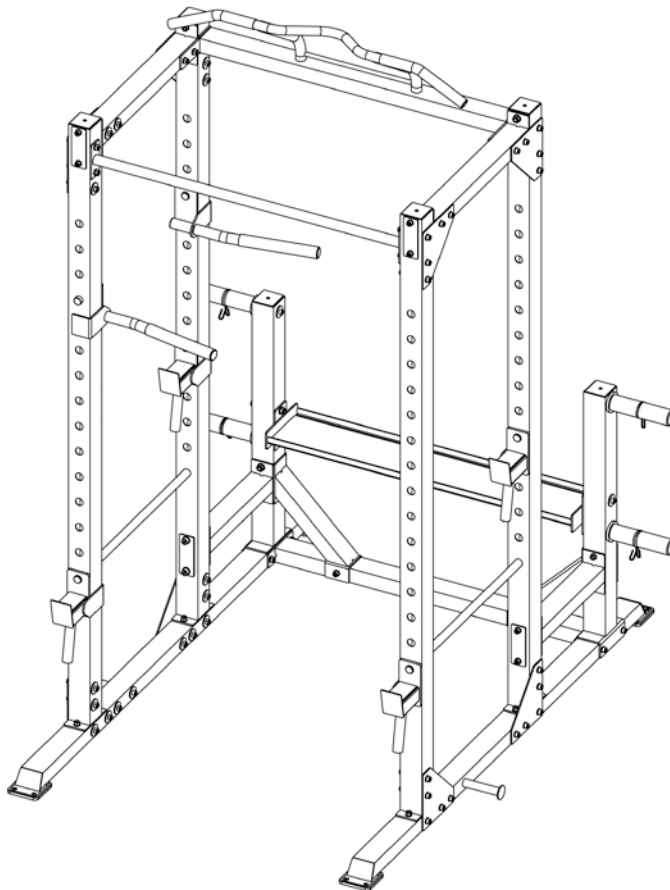


# STEELBODY

## MONSTER RACK

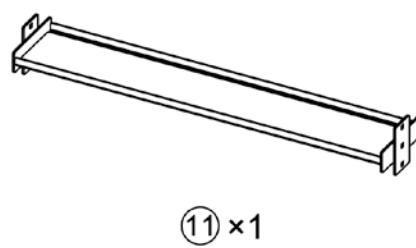
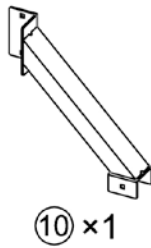
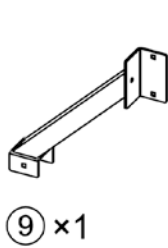
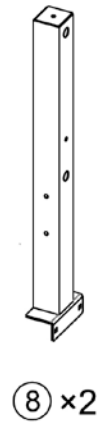
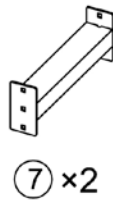
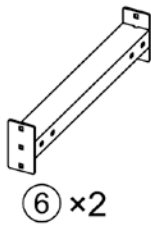
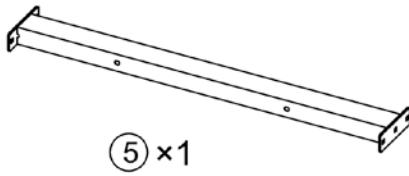
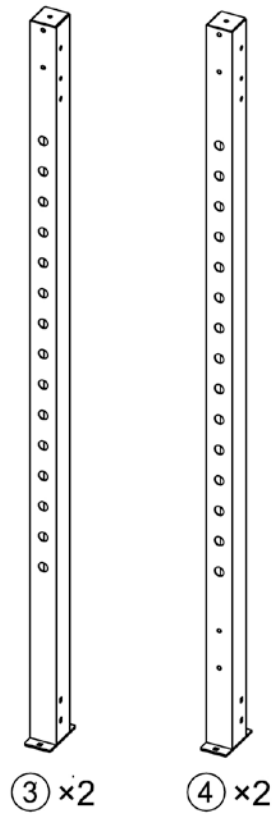
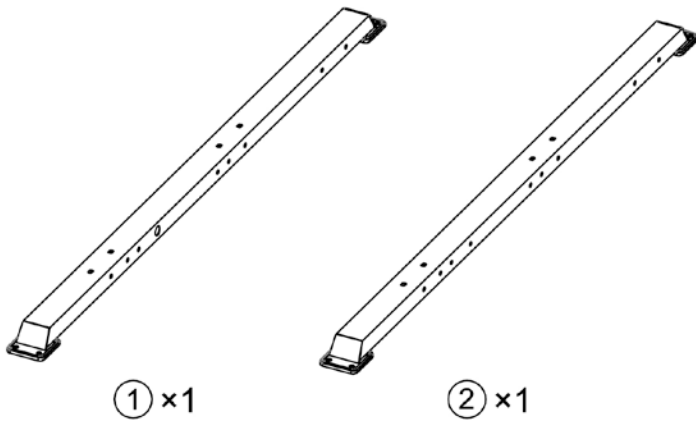
**STB-98005**

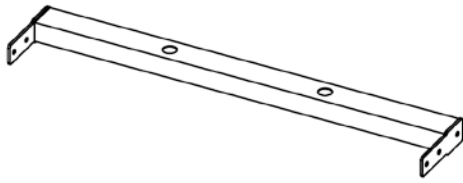


**IMPORTANT:** Please read the Important Safety Notice and Assembly Information in the Owner's manual before assembling this product.

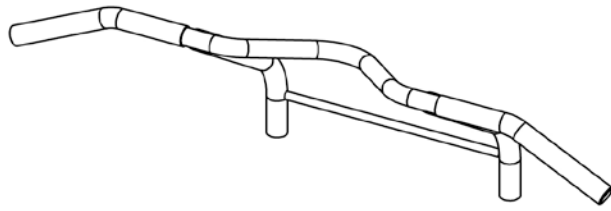
**Assembly Manual**

150825

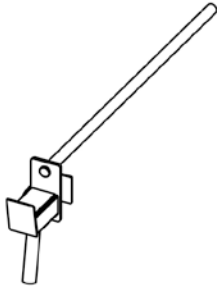




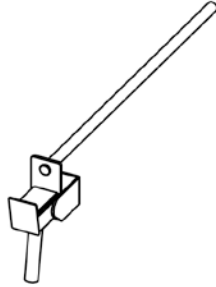
⑫ × 1



⑬ × 1



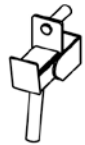
⑭ × 1



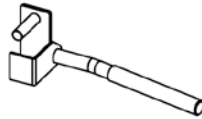
⑮ × 1



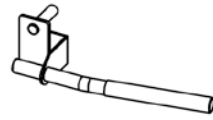
⑯ × 1



⑰ × 1



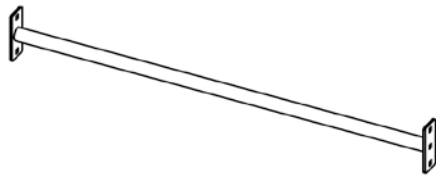
⑱ × 1



⑲ × 1



⑳ × 4



㉑ × 1



㉒ × 2



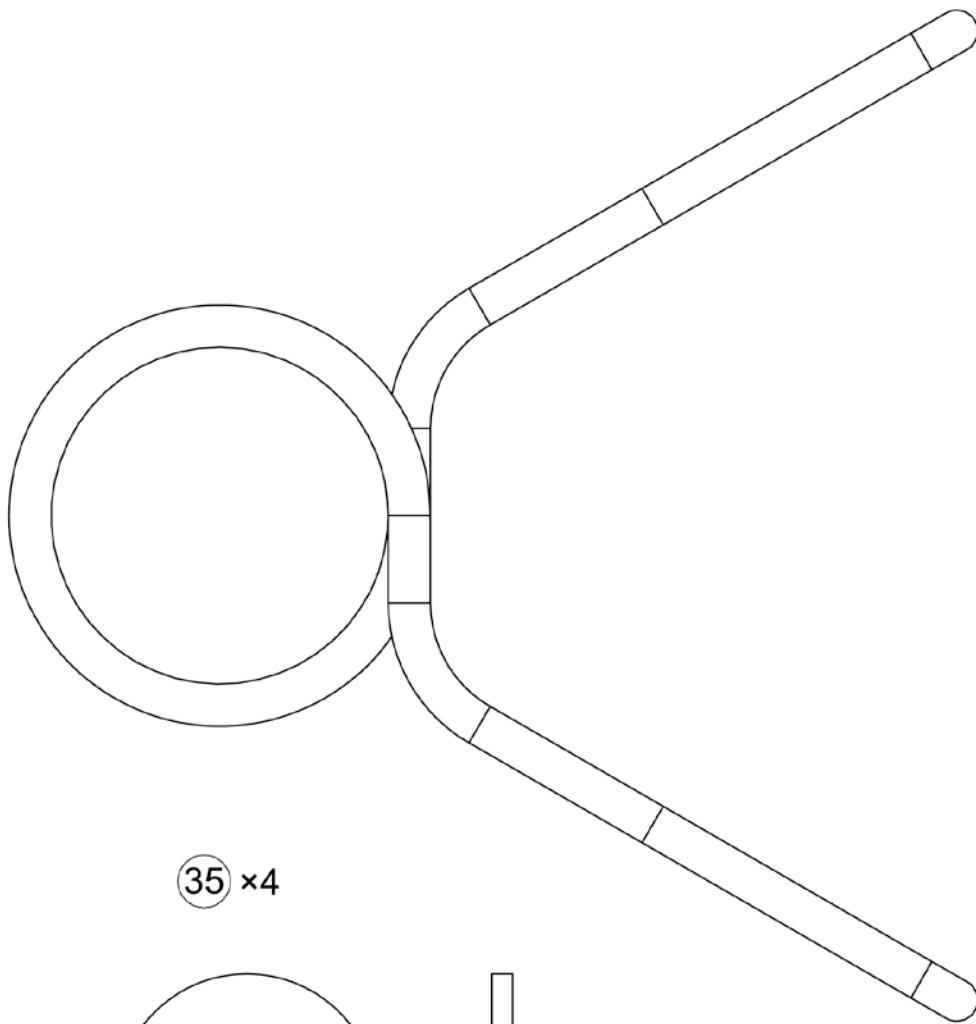
㉓ × 8



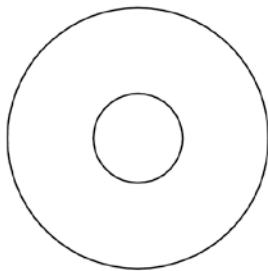
㉔ × 10



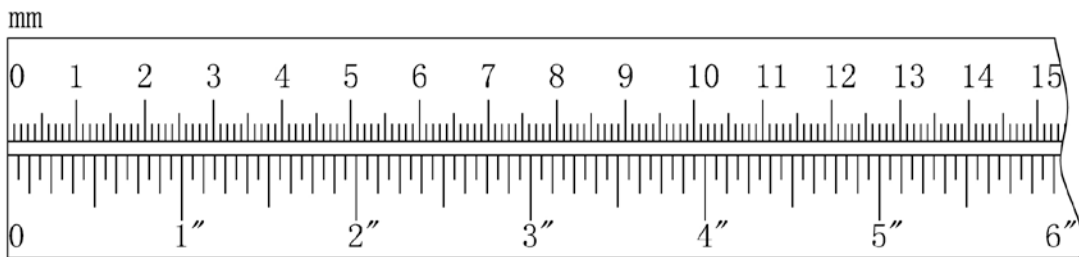
㉕ × 4



③5 × 4

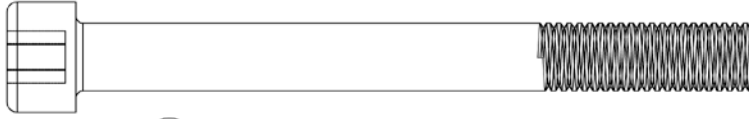


③6 × 38

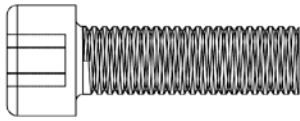




③7×34



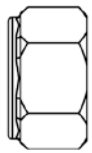
③8×30



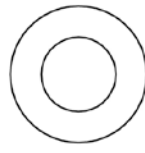
③9×8



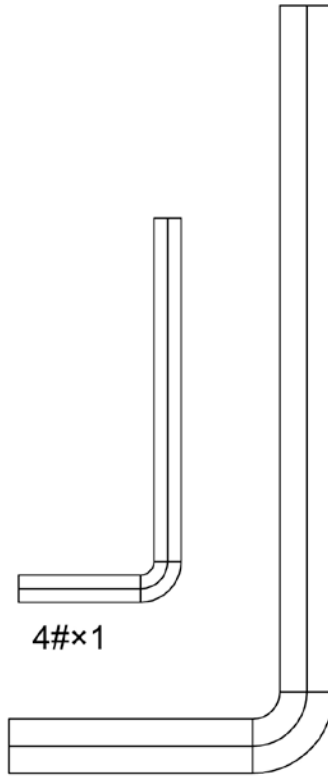
④0×8



④1×70

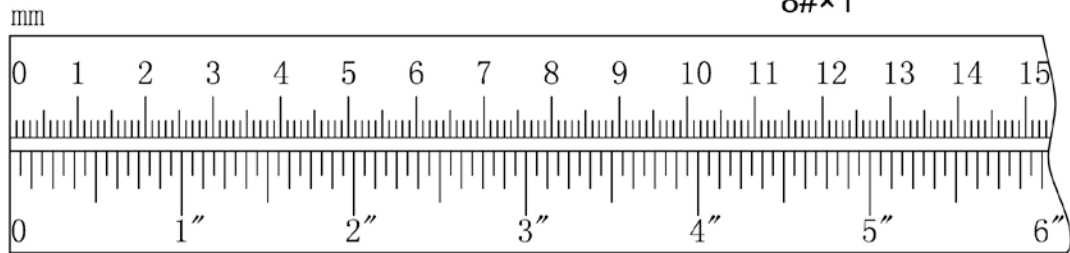


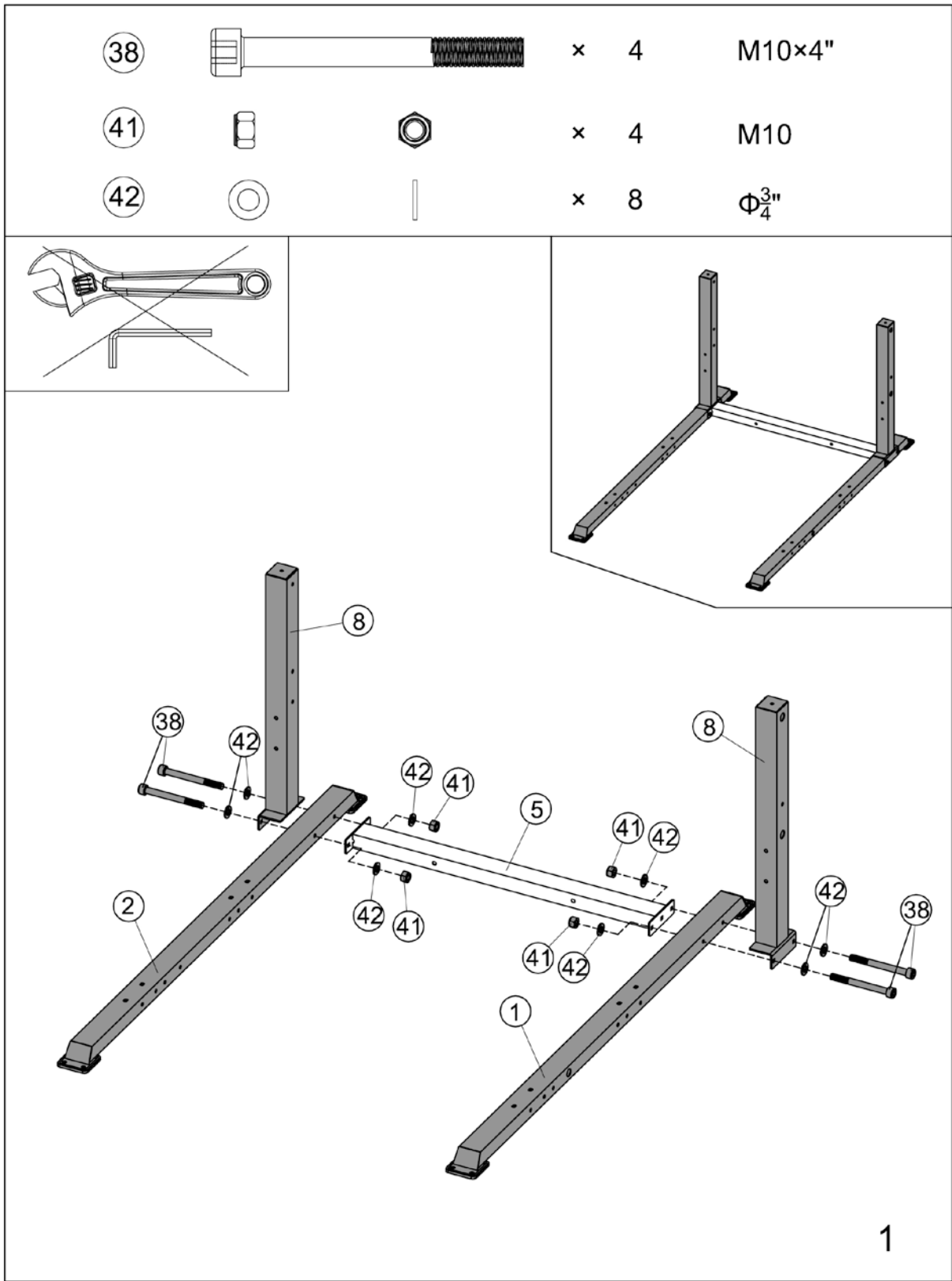
④2×104

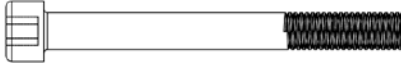






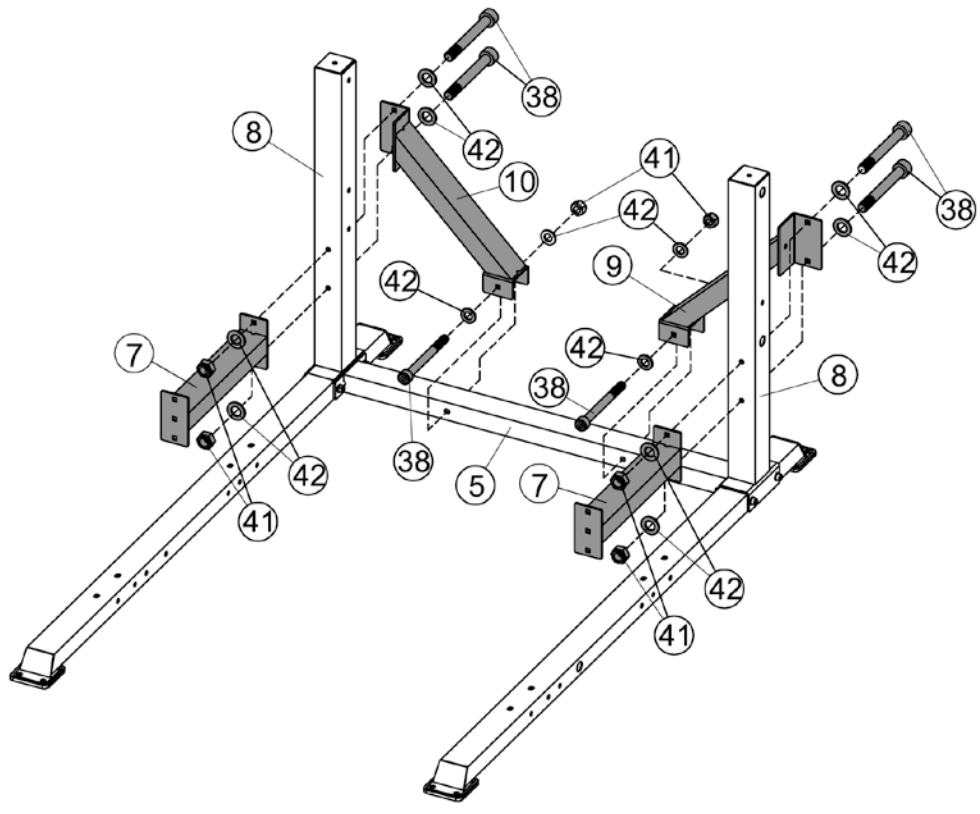
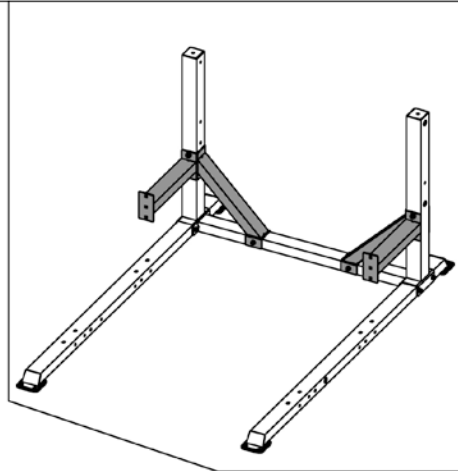
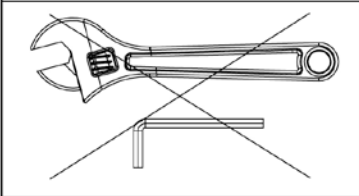
4#×1

8#×1

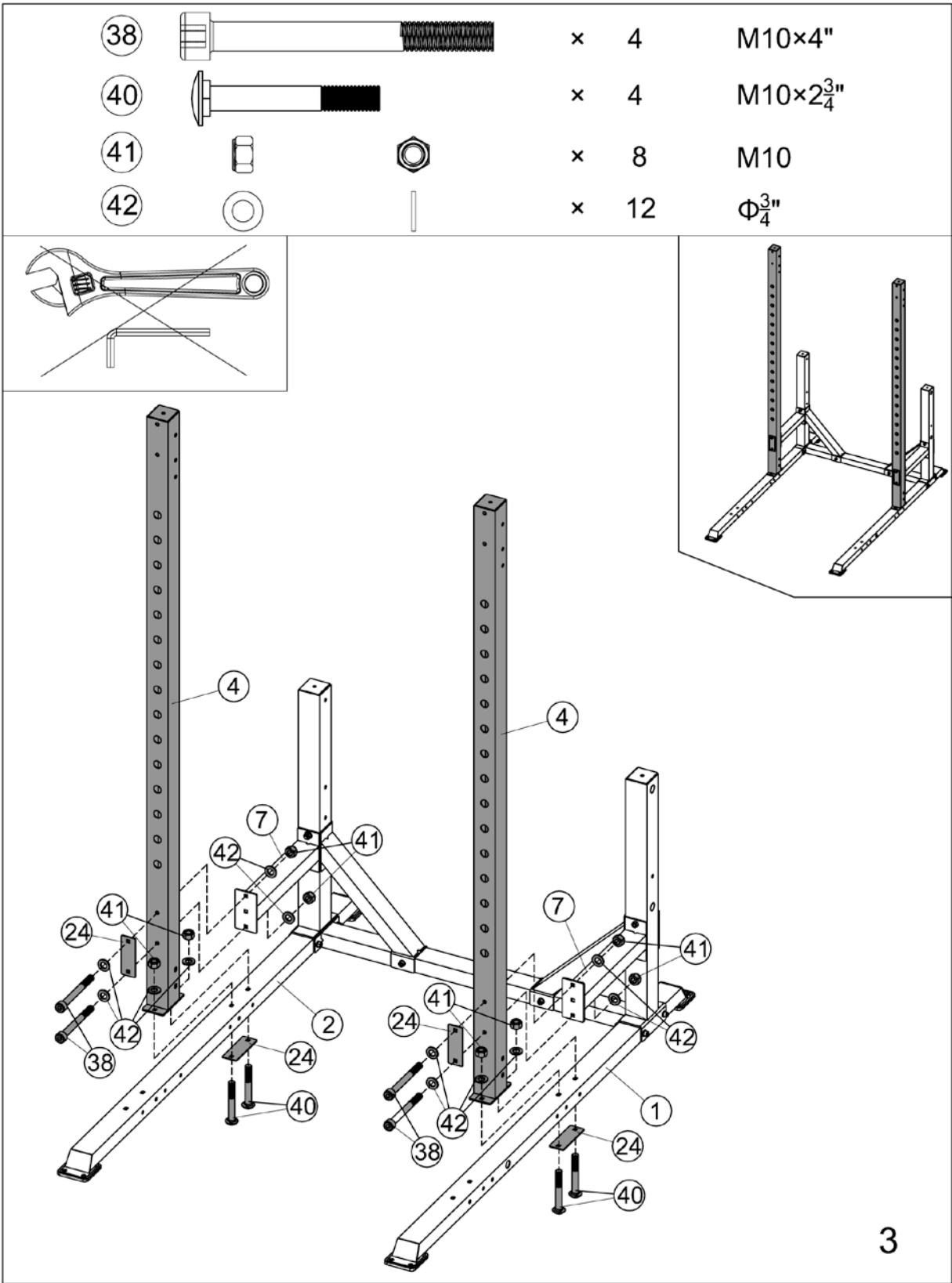




38		x 6	M10x4"
41	 	x 6	M10
42	 	x 12	$\Phi\frac{3}{4}$ "

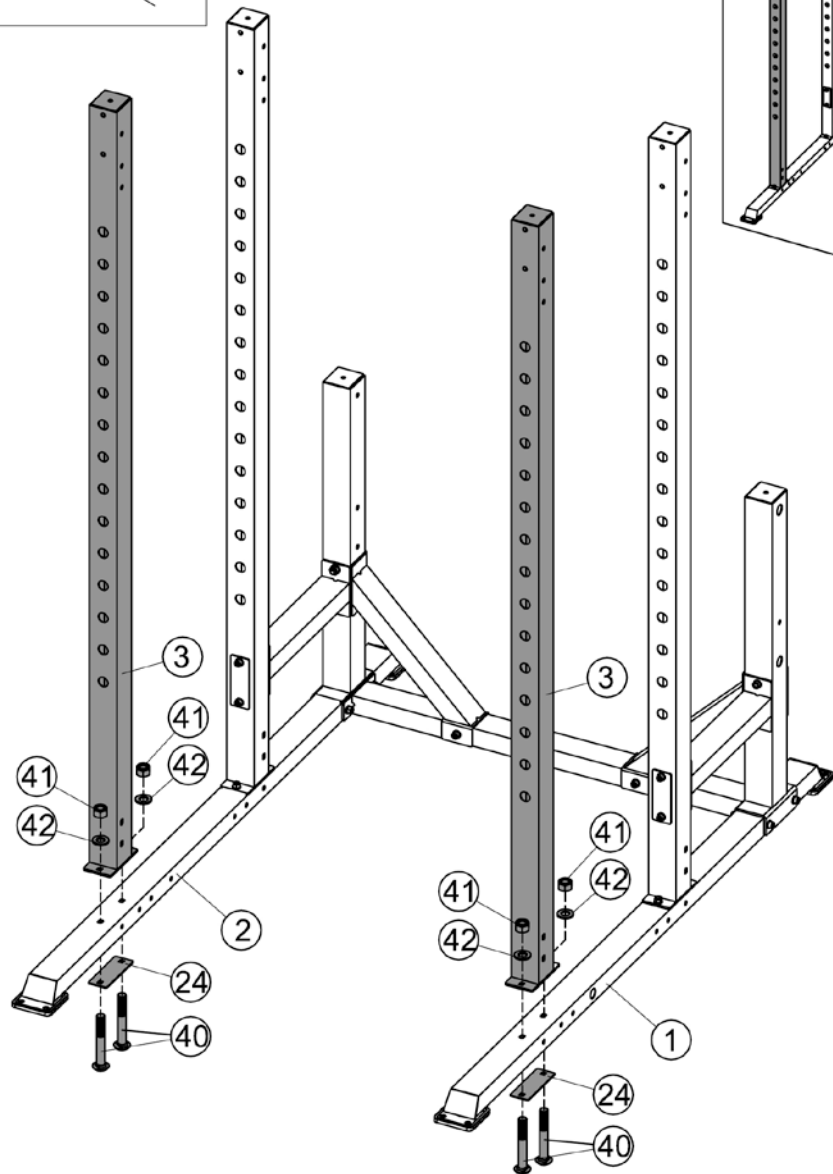
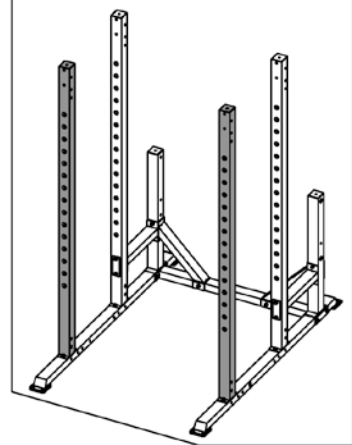
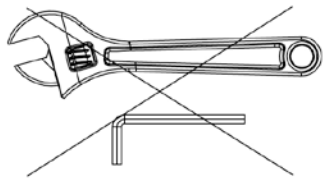


2

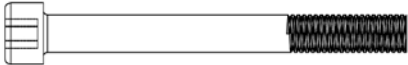




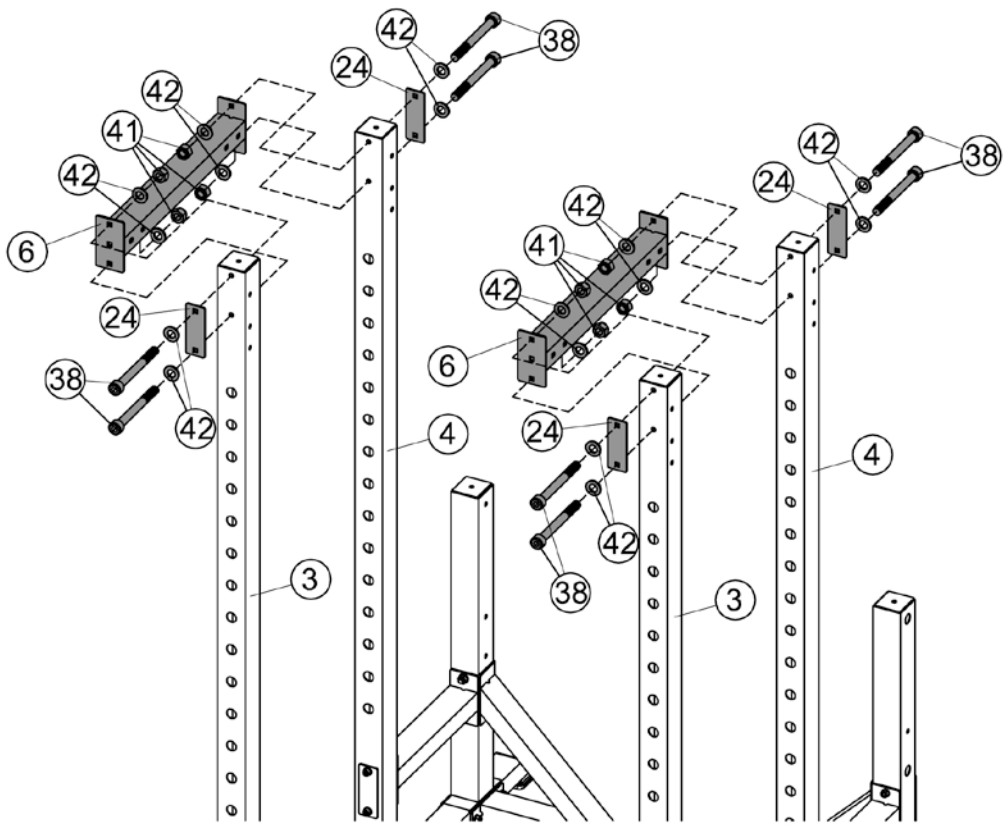
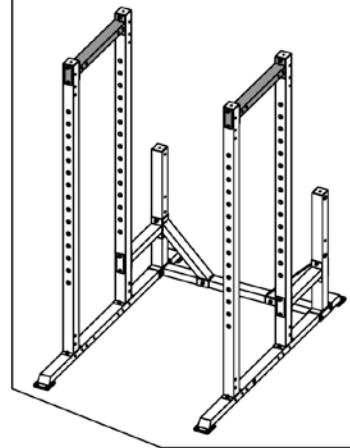
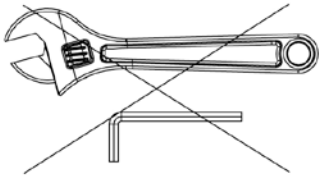




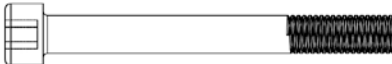


(40)		x 4	M10x2 $\frac{3}{4}$ "
(41)		x 4	M10
(42)		x 4	$\Phi\frac{3}{4}$ "

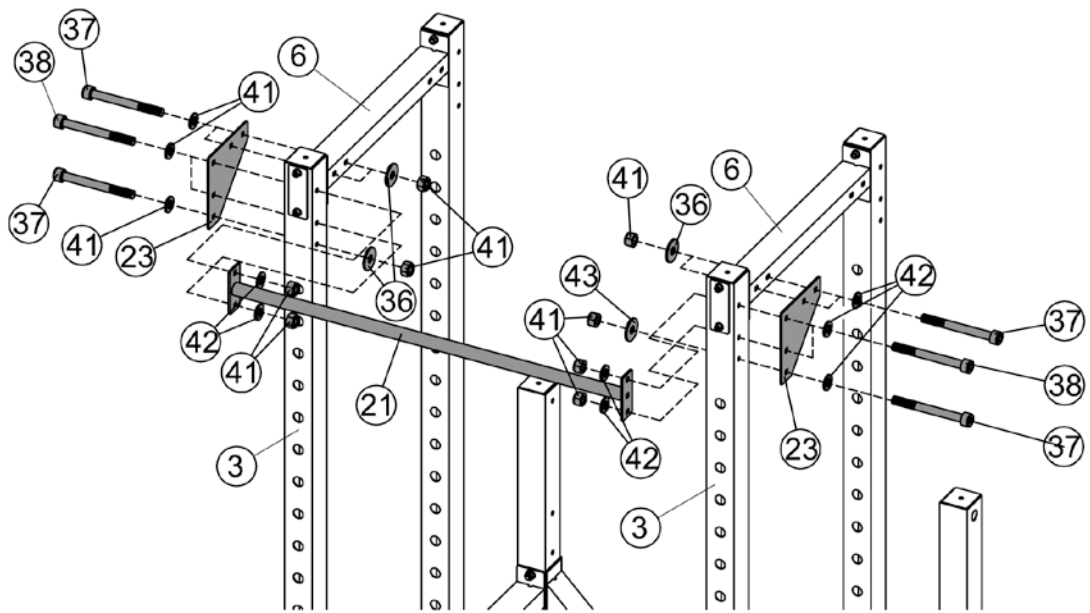
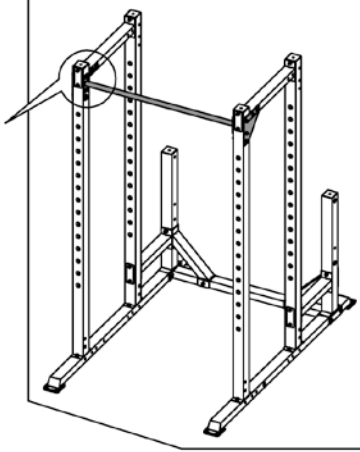
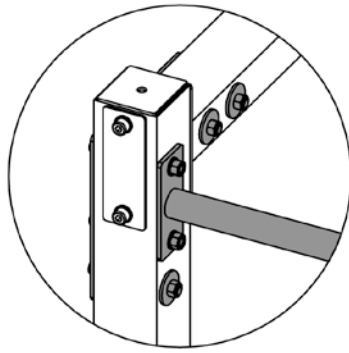
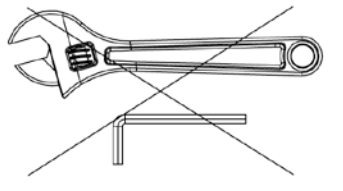


4

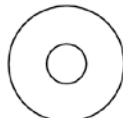









38		x 8	M10x4"
41		x 8	M10
42		x 16	$\Phi\frac{3}{4}$ "

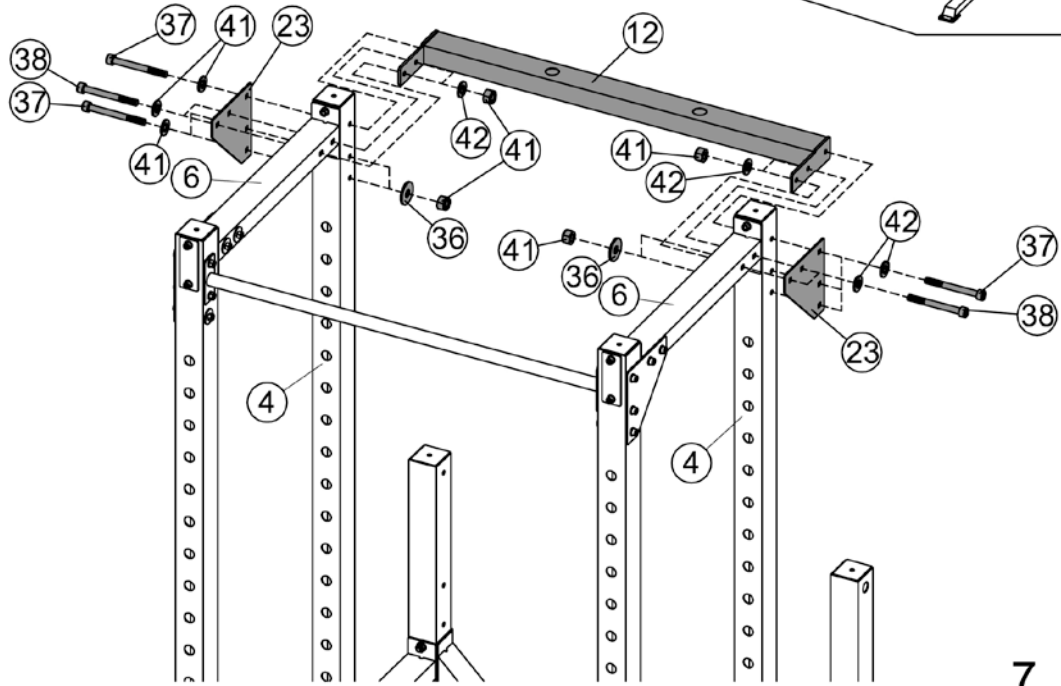
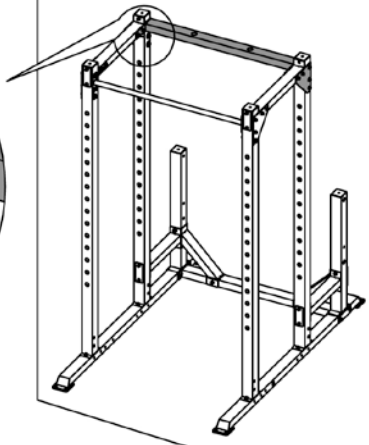
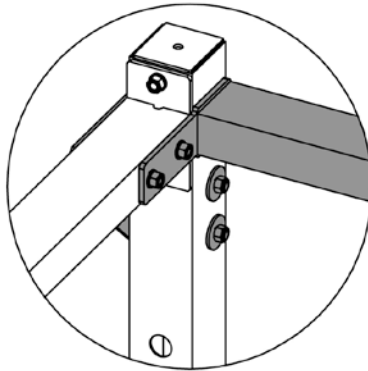
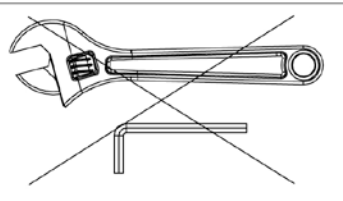


36		x 6	$\Phi 1\frac{1}{2}'' \times \Phi \frac{1}{2}''$
37		x 6	M10 x 3 $\frac{3}{4}''$
38		x 4	M10 x 4''
41		x 10	M10
42		x 14	$\Phi \frac{3}{4}''$


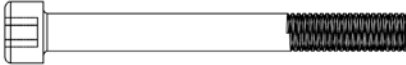





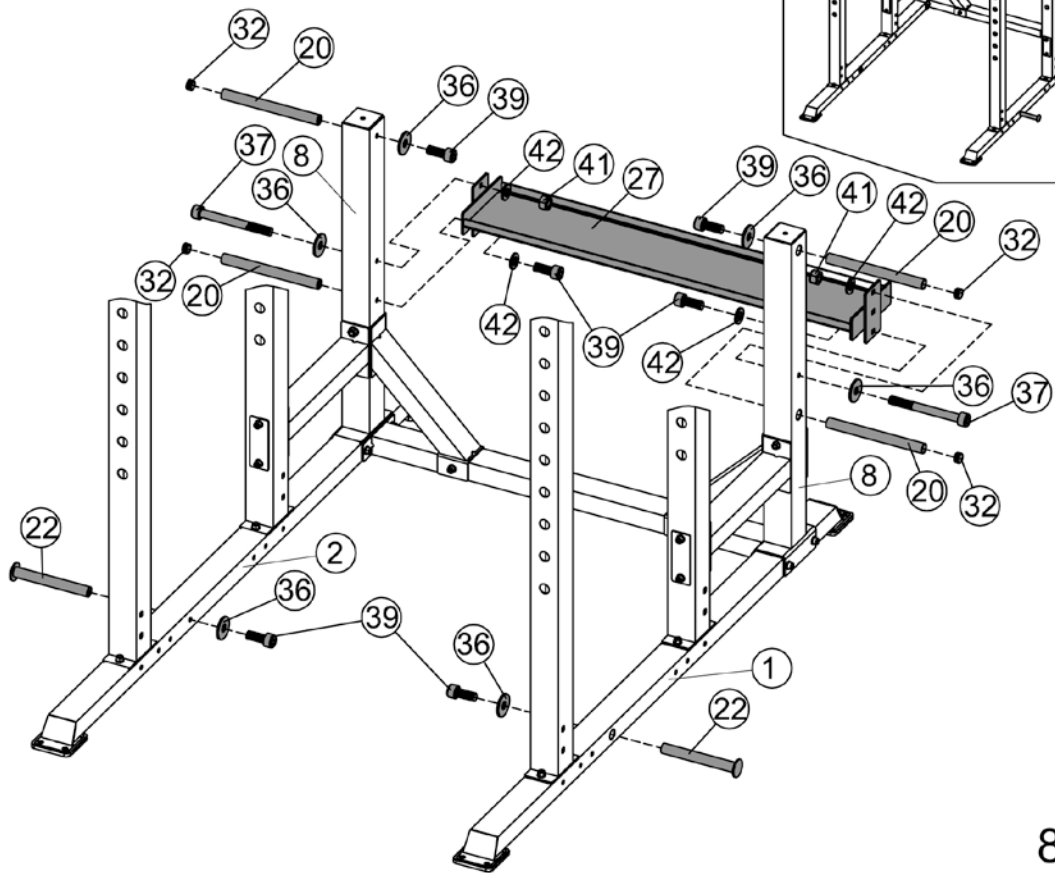
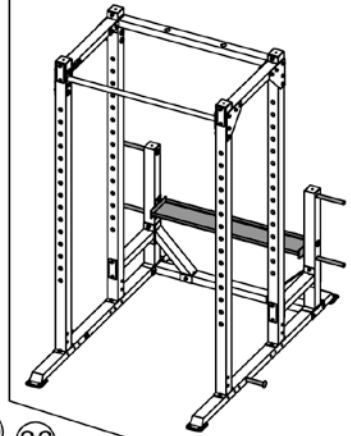
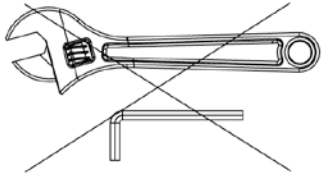
6

36			x 4	$\Phi 1\frac{1}{2}'' \times \Phi \frac{1}{2}''$
37			x 6	M10 x 3 $\frac{3}{4}$ ''
38			x 4	M10 x 4''
41			x 8	M10
42			x 14	$\Phi \frac{3}{4}''$



7

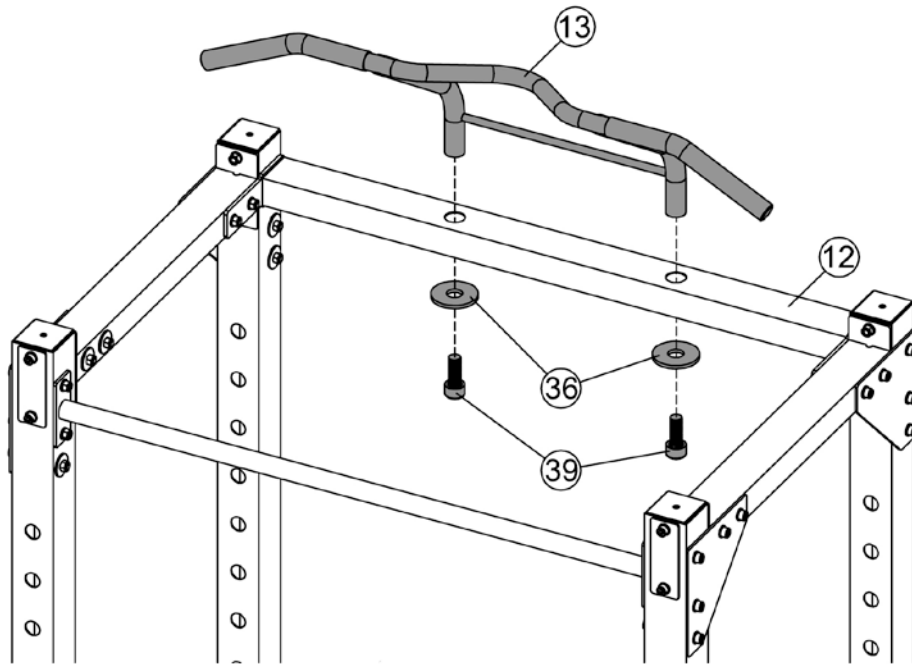
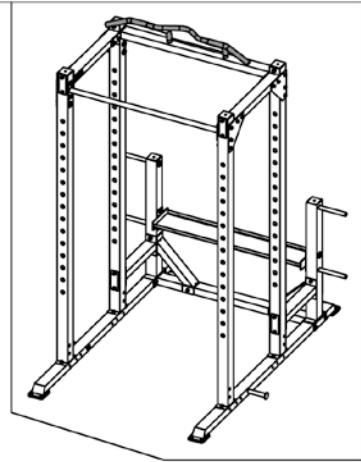
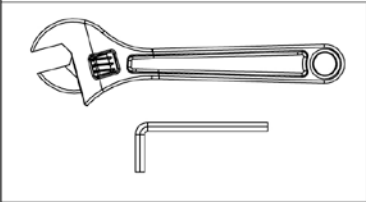
36		x 6	$\Phi 1\frac{1}{2}'' \times \Phi \frac{1}{2}''$
37		x 2	M10 x $3\frac{3}{4}''$
39		x 6	M10 x 1''
41		x 2	M10
42		x 4	$\Phi \frac{3}{4}''$







8

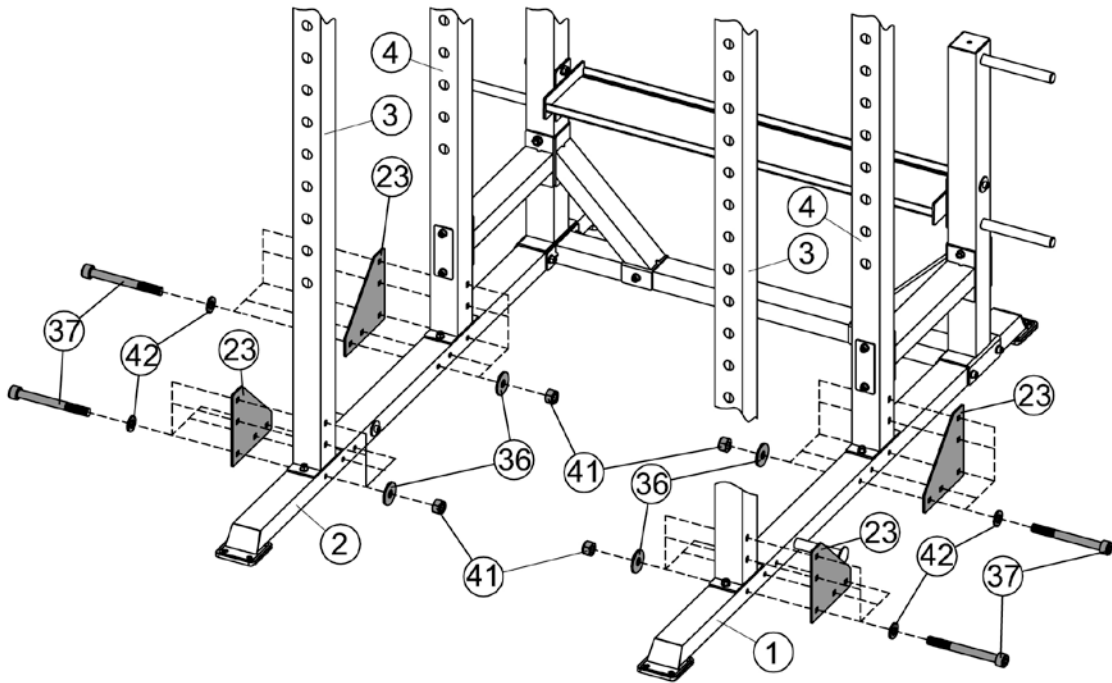
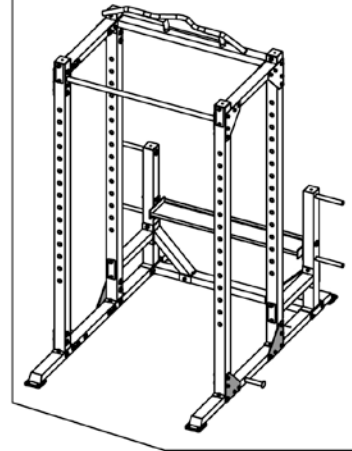
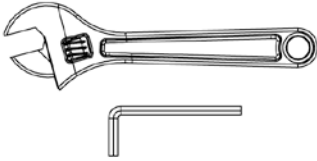
36   × 2  $\Phi 1\frac{1}{2}'' \times \Phi \frac{1}{2}''$

39  × 2 M10×1''

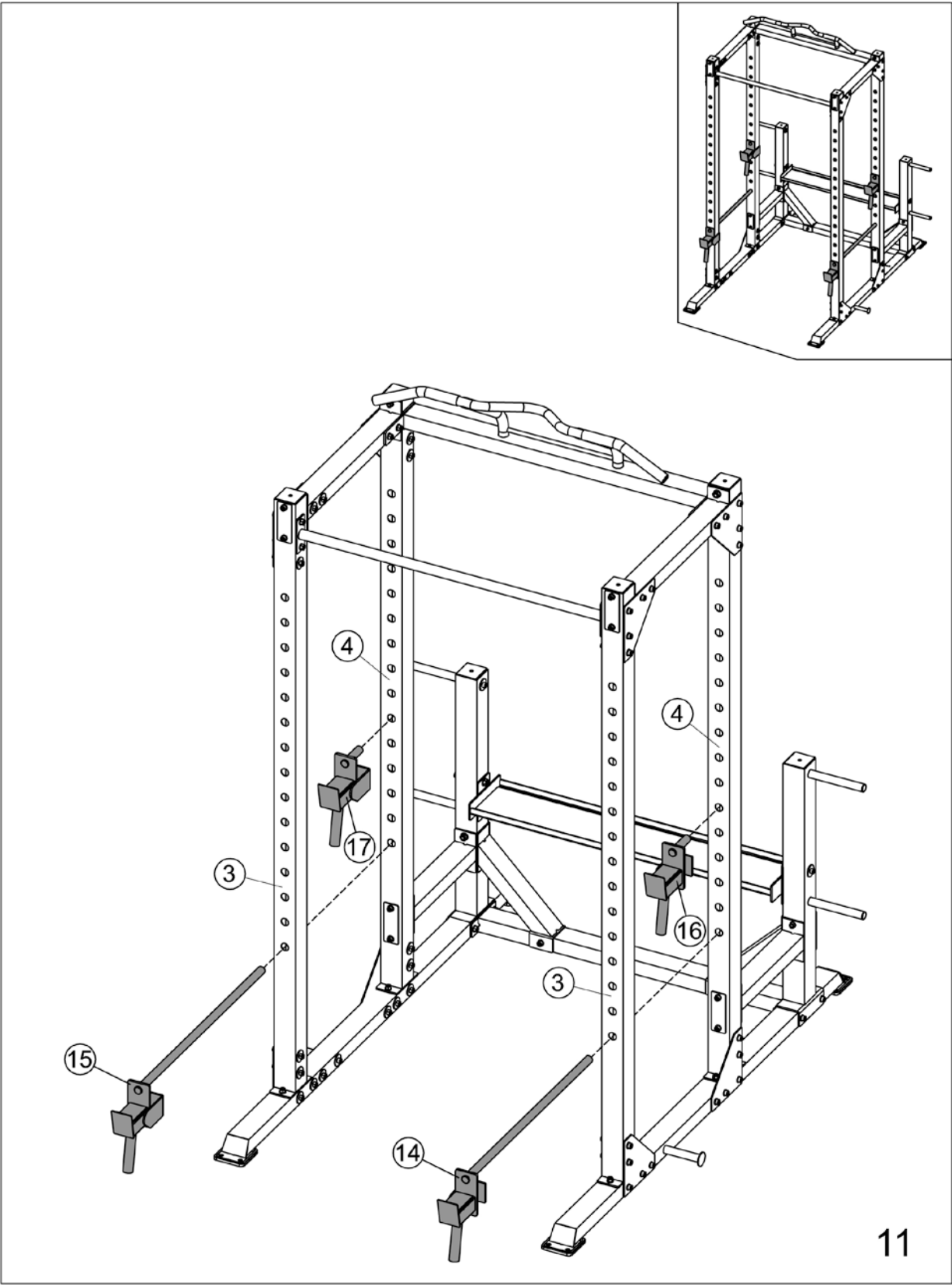


9

36		x 20	$\Phi 1\frac{1}{2}'' \times \Phi \frac{1}{2}''$
37		x 20	M10x3 $\frac{3}{4}''$
41		x 20	M10
42		x 20	$\Phi \frac{3}{4}''$

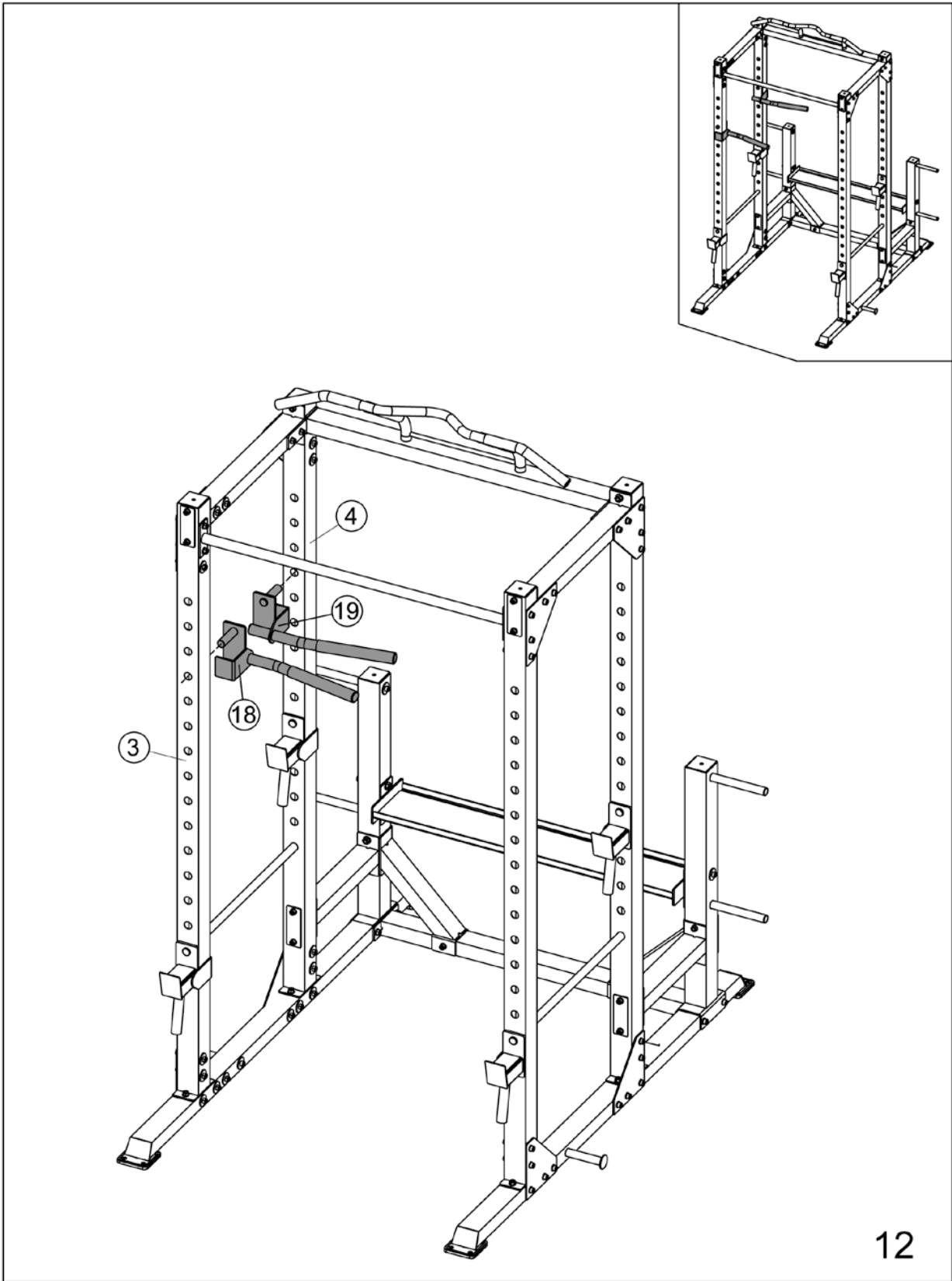


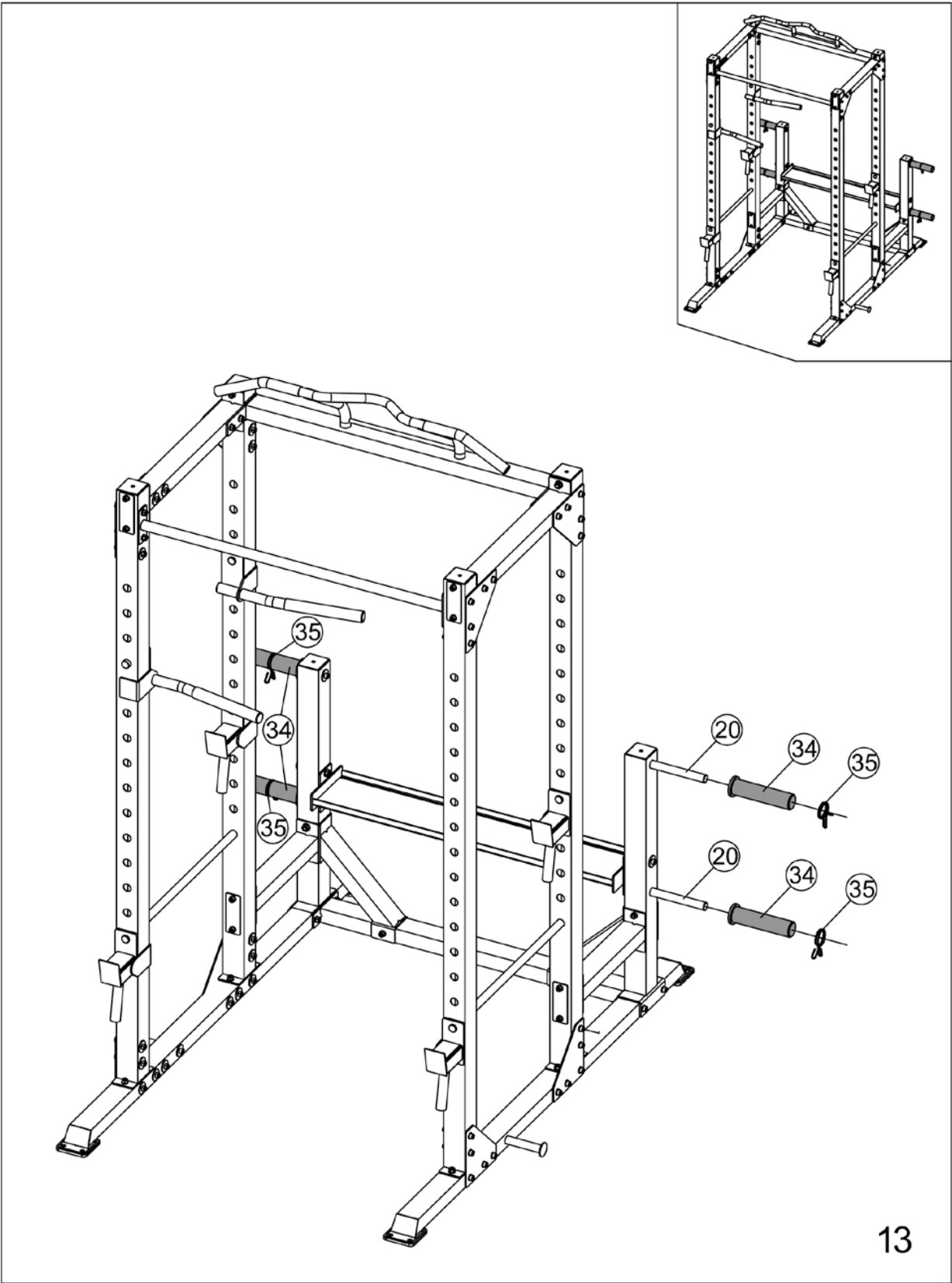
10

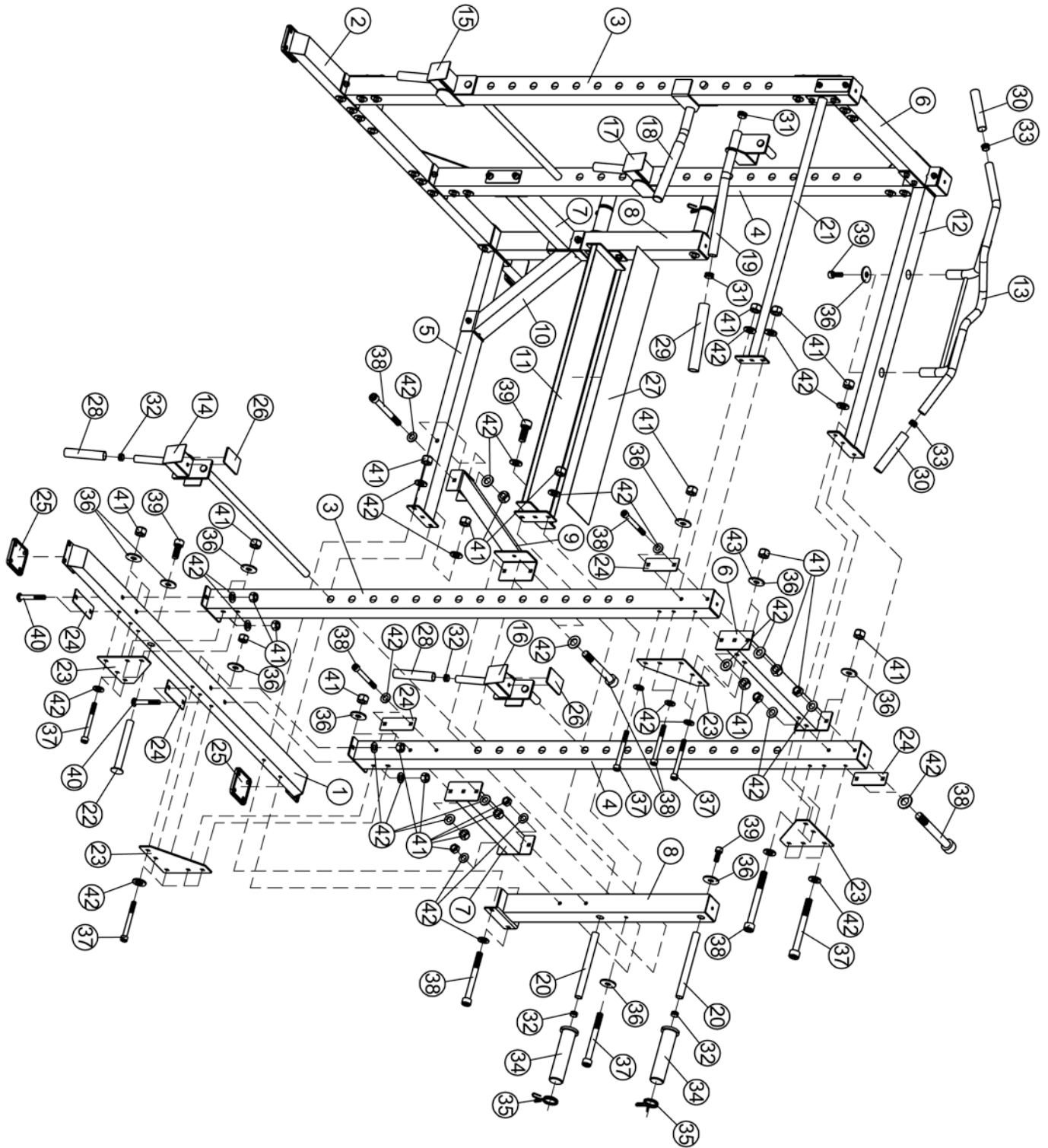


11









**IMPEX® INC.**

2801 S. Towne Ave, Pomona, CA 91766

Tel: (800) 999-8899 Fax: (626) 961-9966

**[www.impex-fitness.com](http://www.impex-fitness.com)**

**[support@impex-fitness.com](mailto:support@impex-fitness.com)**